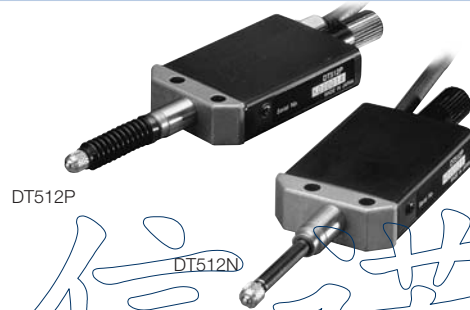
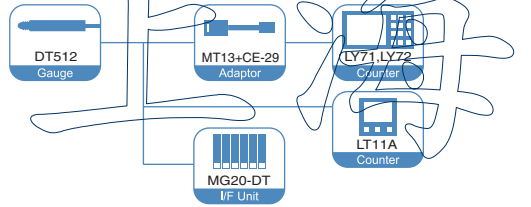


DT

DT512_{N/P}

Compact and slim gauges with 1 μm resolution

- Excellent resistance to workshop conditions (DT512P: IP64)
- Resistant to oil, water, dust, vibration, and shock.
- Accuracy: 6 μm
- Resolution: 1 μm
- Measuring range: 12 mm / 0.47"
- Compact size ideal for designing into machines
12 x 35 x 116 mm / 0.47" x 1.38" x 4.57" (D x W x L)

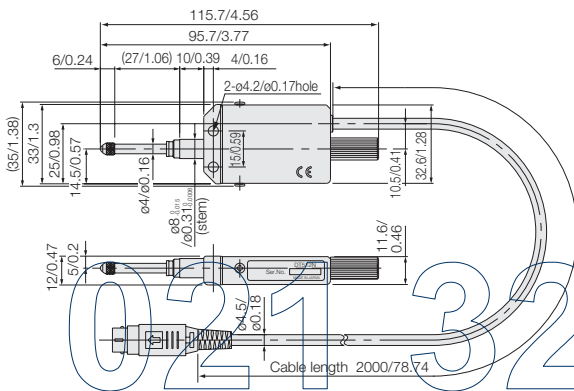


上海迈信诺

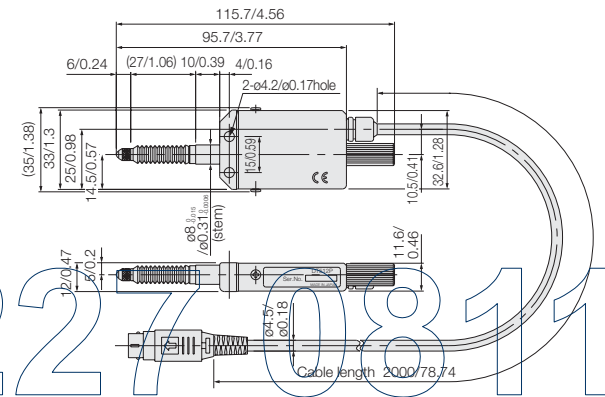
Digital Gauge

Dimensions

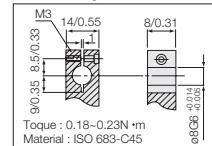
DT512N



DT512P



Dimensions and dimensional tolerance for the mounting holder



Unit : mm/inch

Specifications

		DT512N	DT512P
Model		DT512N	DT512P
Measuring range		12 mm/0.47"	12 mm/0.47"
Resolution		1 μm	1 μm
Accuracy (at 20 °C / 68 °F)		6 μm	6 μm
Measuring force	Upward	0.7 ± 0.5 N	All directions: 1.7 N or less
	Lateral	0.8 ± 0.5 N	
	Downward	0.9 ± 0.5 N	
Protective design grade		—	Equivalent to IP64
Operating temperature		0 °C to 50 °C / 32 °F to 122 °F	
Storage temperature		-10 °C to 60 °C / 14 °F to 140 °F	
Cable length		2 m/6.56'	
Mounting stem diameter		ø 8 ⁰ _{-0.015} mm / ø 0.31 ⁰ _{-0.0059} "	
Feeler		Feeler tipped with 3 mm dia. steel ball with M2.5p x 0.45 screw on fitting end	
Mass (excl. cable unit)		75 g / 2.65 oz	80 g / 2.82 oz
Guaranteed number of strokes		5 million	